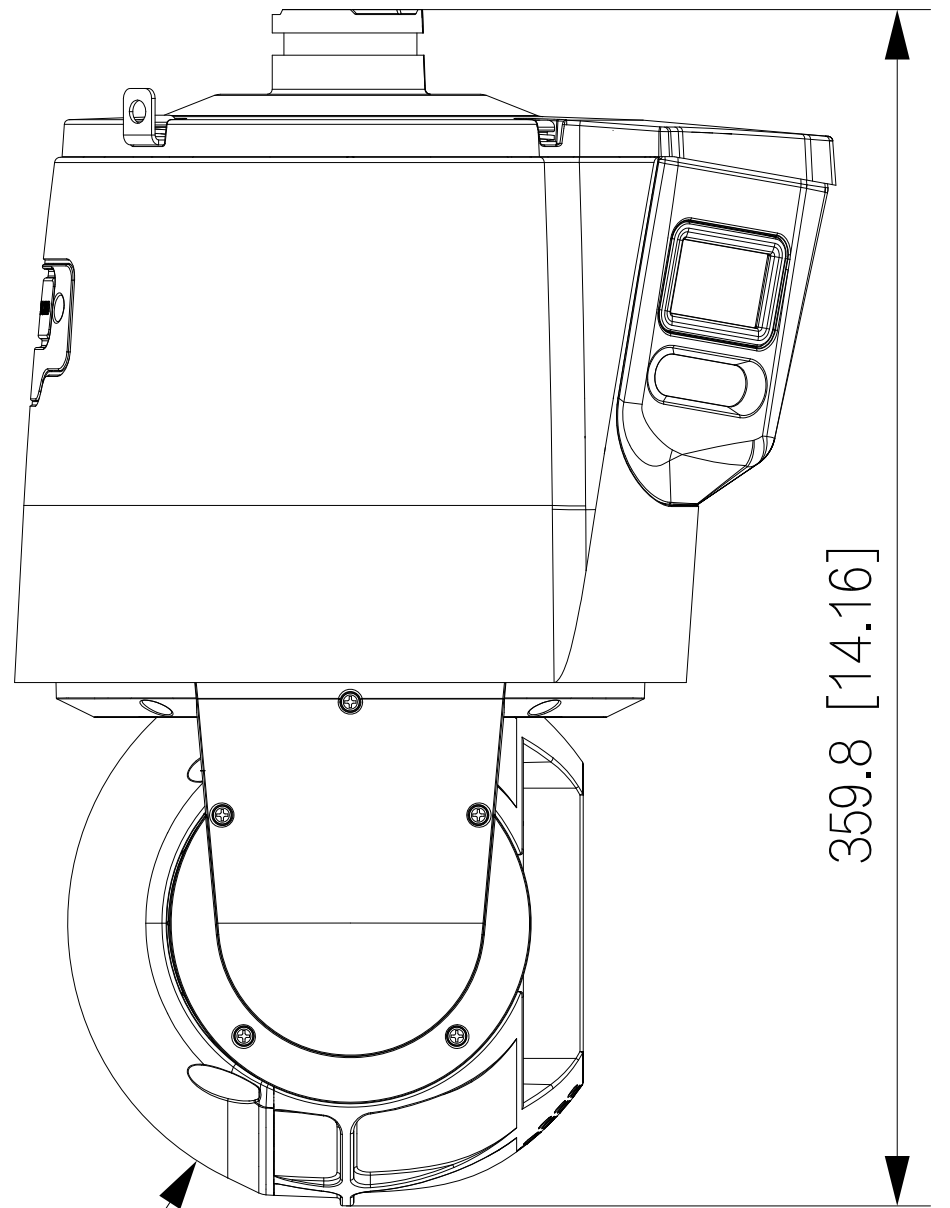
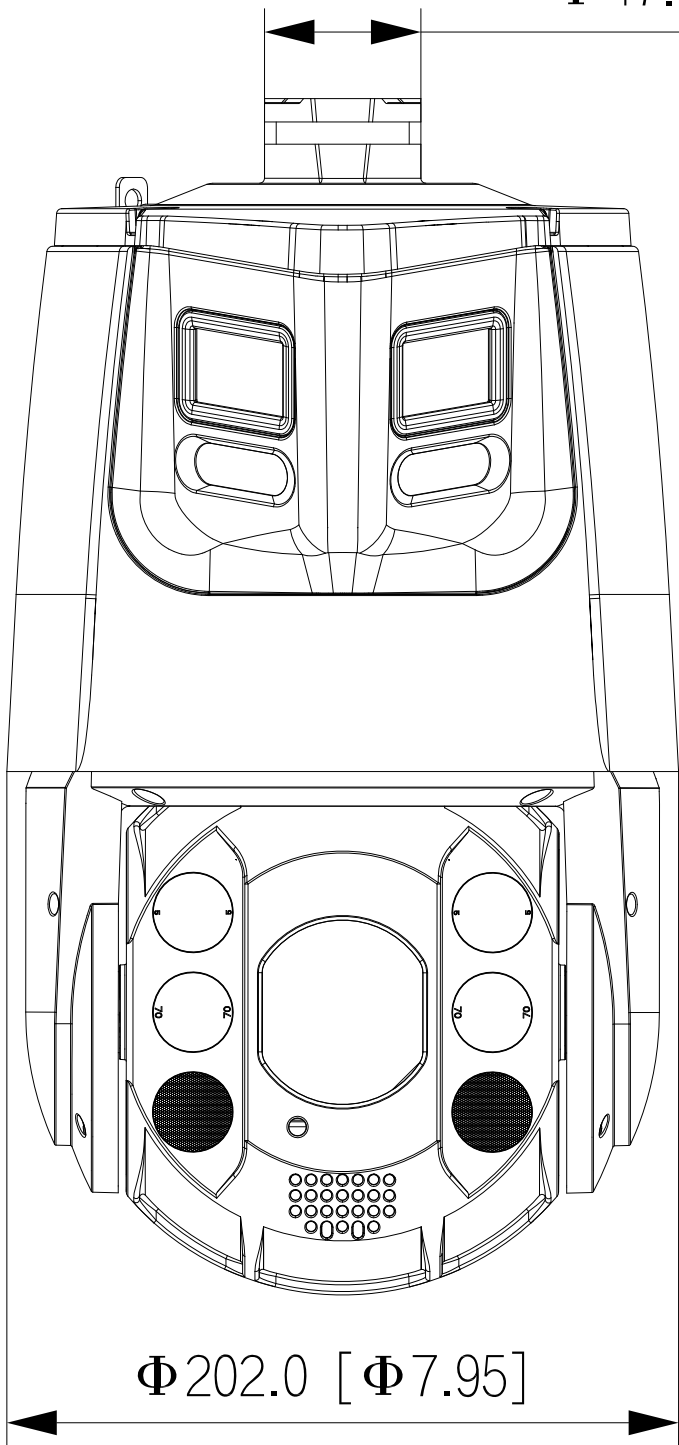


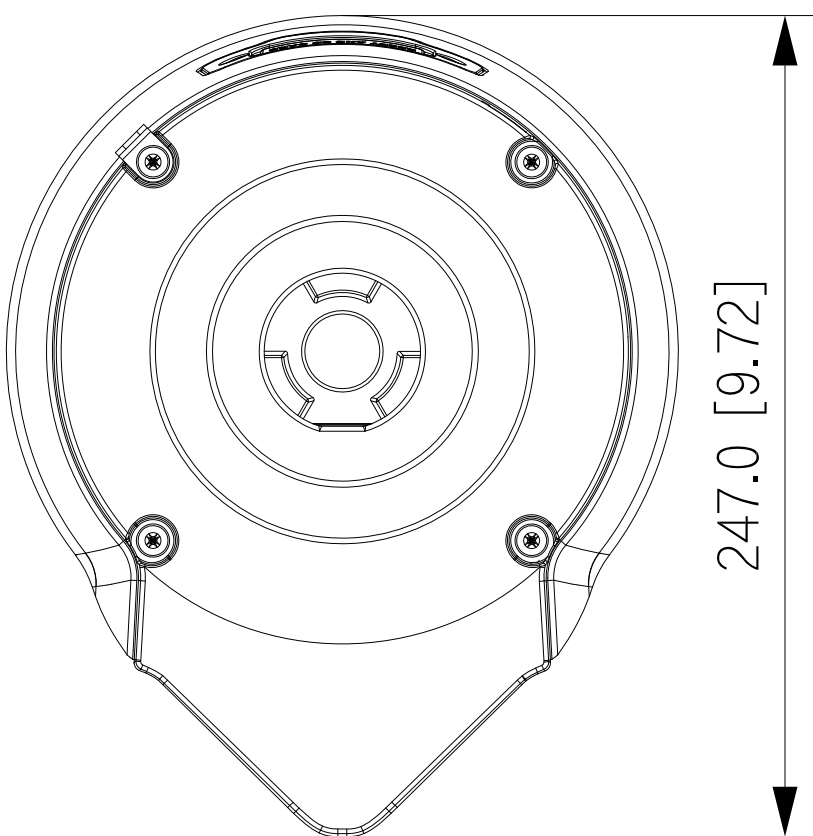
mm[inch]

$\Phi 47.0$  [ $\Phi 1.85$ ]



359.8 [14.16]

$\Phi 170.0$  [ $\Phi 6.7$ ]



247.0 [9.72]