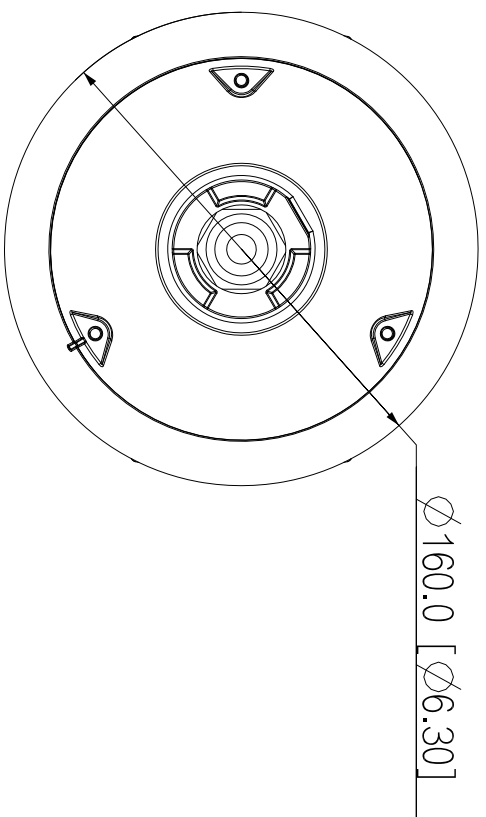


mm [in]



SR67.5 [SR2.66]

Ø160.0 [Ø6.30]

.X	±0.2		ANG	±0.5		TITLE: C40014-16-整机尺寸图 DWG NO.: UNIT: mm SCALE: 2:5 MASS(G): 3890.4 PART NO.:	
.XX	±0.15					DRAW: CHKD: STAD: APPD:	DATE: DATE: DATE: DATE:
.XXX	±0.05					THESE DRAWINGS AND SPECIFICATION ARE THE PROPERTY OF ZHEJIANG DHPLA TECHNOLOGY CO., LTD. AND SHALL NOT BE REPRODUCED, COPIED OR USED IN ANY MANNER WITHOUT THE PRIOR WRITTEN CONSENT OF ZHEJIANG DHPLA TECHNOLOGY CO., LTD.	SHEET: 1 OF 1