



# **Bullet Network Camera**

## **Quick Start Guide**






# Foreword

## General

This manual introduces the installation and operations of network camera. Read carefully before using the device, and keep the manual safe for future reference.

## Safety Instructions

The following signal words might appear in the manual.

Signal Words	Meaning
 WARNING	Indicates a medium or low potential hazard which, if not avoided, could result in slight or moderate injury.
 CAUTION	Indicates a potential risk which, if not avoided, could result in property damage, data loss, reductions in performance, or unpredictable result.
 NOTE	Provides additional information as a supplement to the text.

## Revision History

Version	Revision Content	Release Time
V1.0.0	First release.	July 2024

## Privacy Protection Notice

As the device user or data controller, you might collect the personal data of others such as their face, audio, fingerprints, and license plate number. You need to be in compliance with your local privacy protection laws and regulations to protect the legitimate rights and interests of other people by implementing measures which include but are not limited: Providing clear and visible identification to inform people of the existence of the surveillance area and provide required contact information.

## About the Manual

- The manual is for reference only. Slight differences might be found between the manual and the product.
- We are not liable for losses incurred due to operating of the product in ways that are not in compliance with the manual.
- The manual will be updated according to the latest laws and regulations of related jurisdictions. For detailed information, see the paper User Manual, use our CD-ROM, scan the QR code or visit our official website. The manual is for reference only. Slight differences might be found between the electronic version and the paper version.
- All the designs and software are subject to change without prior written notice. Product updates might result in some differences appearing between the actual product and the manual. Please contact customer service for the latest program and supplementary documentation.

- There might be deviations in the description of the technical data, functions and operations, or errors in the print. If there is any doubt or dispute, we reserve the right of final explanation.
- Upgrade the reader software or try other mainstream reader software if the manual (in PDF format) cannot be opened.
- All trademarks, registered trademarks and the company names in the manual are the properties of their respective owners.
- Please visit our website, contact the supplier or customer service if any problems occur while using the device.
- If there is any uncertainty or controversy, we reserve the right of final explanation.

# Important Safeguards and Warnings

This section introduces content covering the proper handling of the device, hazard prevention, and prevention of property damage. Read carefully before using the device, comply with the guidelines when using it.

## Transportation Requirements



- Transport the device under allowed humidity and temperature conditions.
- Pack the device with packaging provided by its manufacturer or packaging of the same quality before transporting it.
- Do not place heavy stress on the device, violently vibrate or immerse it in liquid during transportation.

## Storage Requirements




- Store the device under allowed humidity and temperature conditions.
- Do not place the device in a humid, dusty, extremely hot or cold site that has strong electromagnetic radiation or unstable illumination.
- Do not place heavy stress on the device, violently vibrate or immerse it in liquid during storage.

## Installation Requirements



- Strictly comply with the local electrical safety code and standards, and check whether the power supply is correct before operating the device.
- Please follow the electrical requirements to power the device.
  - ◇ Following are the requirements for selecting a power adapter.
    - The power supply must conform to the requirements of IEC 60950-1 and IEC 62368-1 standards.
    - The voltage must meet the SELV (Safety Extra Low Voltage) requirements and not exceed ES-1 standards.
    - The power supply must meet LPS requirements and be no higher than PS2.
  - ◇ We recommend using the power adapter provided with the device.
  - ◇ When selecting the power adapter, the power supply requirements (such as rated voltage) are subject to the device label.
- Do not connect the device to two or more kinds of power supplies, unless otherwise specified, to avoid damage to the device.
- The device must be installed in a location that only professionals can access, to avoid the risk of non-professionals becoming injured from accessing the area while the device is working. Professionals must have full knowledge of the safeguards and warnings of using the device.



- Do not place heavy stress on the device, violently vibrate or immerse it in liquid during installation.
- An emergency disconnect device must be installed during installation and wiring at a readily accessible location for emergency power cut-off.
- We recommend you use the device with a lightning protection device for stronger protection against lightning. For outdoor scenarios, strictly comply with the lightning protection regulations.
-  Reliably ground the grounding terminal of the device to improve safety. The grounding terminal differs depending on the device, and some devices do not have grounding terminals. Process the situation according to the device model.
- The dome cover is an optical component. Do not directly touch or wipe the surface of the cover during installation.
- Do not install the device in an environment that shares common ground with a switch or NVR to avoid interference from electrical signals, which affect the negotiation of the terminal. If the device must share common ground, use insulation material to separate the device from the common ground such as expansion bolts.

## Operation Requirements



### WARNING

- The cover must not be opened while the device is powered on.
- Do not touch the heat dissipation component of the device to avoid the risk of getting burnt.



- Use the device under allowed humidity and temperature conditions.
- To protect the appearance and functions of the device, do not use it in harsh environments such as the seaside and chemical plants that contain high concentrations of corrosive materials (such as chlorides and SO<sub>2</sub>).
- For information on the scenes that are suitable for anti-corrosion devices, please contact customer service to avoid damaging the appearance and functions of this device.
- Do not aim the device at strong light sources (such as lamplight, and sunlight) when focusing it, to avoid reducing the lifespan of the CMOS sensor, and causing overbrightness and flickering.
- When using a laser beam device, avoid exposing the device surface to laser beam radiation.
- Prevent liquid from flowing into the device to avoid damage to its internal components.
- Protect indoor devices from rain and dampness to avoid electric shocks and fires breaking out.
- Do not block the ventilation opening near the device to avoid heat accumulation.
- Protect the line cord and wires from being walked on or squeezed particularly at plugs, power sockets, and the point where they exit from the device.
- Do not directly touch the photosensitive CMOS. Use an air blower to clean the dust or dirt on the lens.
- The dome cover is an optical component. Do not directly touch or wipe the surface of the cover when using it.
- There might be a risk of electrostatic discharge on the dome cover. Power off the device when installing the cover after the camera finishes adjustment. Do not directly touch the cover and make sure the cover is not exposed to other equipment or human bodies
- Strengthen the protection of the network, device data and personal information. All necessary safety measures to ensure the network security of the device must be taken, such as using strong passwords, regularly changing your password, updating firmware to the latest version, and isolating computer networks. For the IPC firmware of some previous versions, the ONVIF

password will not be automatically synchronized after the main password of the system has been changed. You need to update the firmware or change the password manually.

## Maintenance Requirements



- Strictly follow the instructions to disassemble the device. Non-professionals dismantling the device can result in it leaking water or producing poor quality images. For a device that is required to be disassembled before use, make sure the seal ring is flat and in the seal groove when putting the cover back on. When you find condensed water forming on the lens or the desiccant becomes green after you disassembled the device, contact after-sales service to replace the desiccant. Desiccants might not be provided depending on the actual model.
- Use the accessories suggested by the manufacturer. Installation and maintenance must be performed by qualified professionals.
- Do not directly touch the photosensitive CMOS. Use an air blower to clean the dust or dirt on the lens. When it is necessary to clean the device, slightly wet a soft cloth with alcohol, and gently wipe away the dirt.
- Clean the device body with a soft dry cloth. If there are any stubborn stains, clean them away with a soft cloth dipped in a neutral detergent, and then wipe the surface dry. Do not use volatile solvents such as ethyl alcohol, benzene, diluent, or abrasive detergents on the device to avoid damaging the coating and degrading the performance of the device.
- The dome cover is an optical component. When it is contaminated with dust, grease, or fingerprints, use degreasing cotton moistened with a little ether or a clean soft cloth dipped in water to gently wipe it clean. An air gun is useful for blowing dust away.
- It is normal for a camera made of stainless steel to develop rust on its surface after being used in a strong corrosive environment (such as the seaside, and chemical plants). Use an abrasive soft cloth moistened with a little acid solution (vinegar is recommended) to gently wipe it away. Afterwards, wipe it dry.

---

# Table of Contents

Foreword.....	I
Important Safeguards and Warnings.....	III
1 Introduction.....	1
1.1 Cable.....	1
1.2 Connecting Alarm Input/Output.....	2
2 Network Configuration.....	4
2.1 Initializing the Camera.....	4
2.2 Changing the Device IP Address.....	5
2.3 Logging in to the Webpage.....	5
3 Installation.....	6
3.1 Packing List.....	6
3.2 Installing the Camera.....	6
3.2.1 (Optional) Installing the SD Card.....	6
3.2.2 Attaching the Camera.....	7
3.2.3 Waterproofing the Power Cord.....	9
3.2.4 (Optional) Installing the Waterproof Connector.....	9
3.2.5 Adjusting the Lens Angle.....	11
3.2.6 Checking the Spirit Level.....	11

# 1 Introduction

## 1.1 Cable



Waterproof all the cable joints with insulating tape and waterproof tape to avoid short circuits and water damage. For details, see FAQ manual.

Figure 1-1 Cables

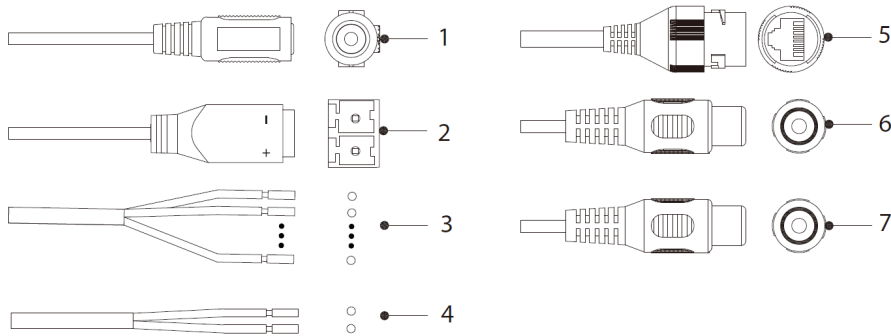




Table 1-1 Cable information

No.	Port Name	Description
1	Power port	Inputs 12 VDC power. Be sure to supply power as instructed in the manual. The device might behave abnormally or become damaged if power is not supplied correctly.
2	Power output	Supplies 12 VDC (2 W) power for external devices. Power output is available on select models.
3	Alarm I/O	Includes alarm signal input and output ports. The number of I/O ports might vary depending on device models.
4	RS-485	Controls external devices, such as PTZ.
5	Ethernet port	<ul style="list-style-type: none"> <li>Connects to network with network cable.</li> <li>Provides power to the device through PoE.</li> </ul> PoE is available on select models.
6	Audio input	Connects to sound pickups to receive audio signals.
7	Audio output	Connects to speaker to output audio signals.



Table 1-2 Description of alarm I/O port

Port Name	Description
ALARM_OUT	Outputs alarm signals to alarm device.
ALARM_OUT_GND	 When connecting to alarm device, only the ALARM_OUT port and ALARM_OUT_GND port with the same number can be used together.
ALARM_IN	Receives the switch signals of external alarm source.
ALARM_IN_GND	 Connect different alarm input devices to the same ALARM_IN_GND port.

## 1.2 Connecting Alarm Input/Output

The camera can connect to external alarm input/output devices through the digital input/output port.



Alarm input/output is available on select models.

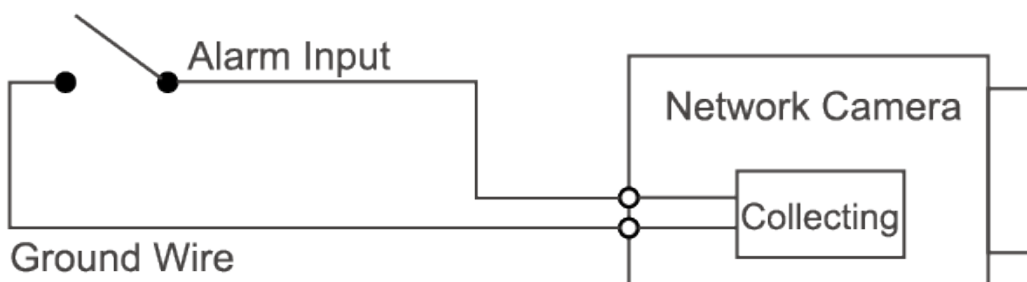
### Procedure

**Step 1** Connect the alarm input device to the alarm input end of the I/O port.

The device collects different statuses of the alarm input port while the input signal is idling and being grounded.

- Device collects logic "1" when the input signal is connected to +3 V to +5 V or idling.
- Device collects logic "0" when the input signal is grounded.

Figure 1-2 Alarm input



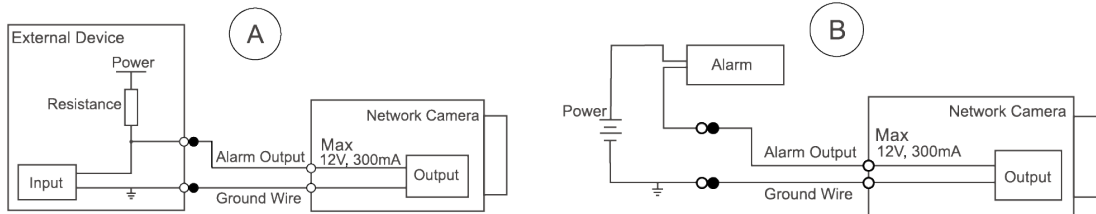
**Step 2** Connect the alarm output device to the alarm output end of the I/O port. The alarm output is an open-drain output, which works in the following modes.

- Mode A: Level application. The alarm outputs high and low level signals, and the alarm outlet is OD, which requires external pull-up resistance (10 K Ohm typical) to work. The maximum external pull-up level is 12 V, maximum port current is 300 mA, and the default output signal is high-level (external pull-up voltage). The default output signal

switches to low-level when an alarm is triggered (As long as the operating current is below 300 mA, the output low-level voltage is lower than 0.8 V).

- Mode B: Switch application. Alarm output is used to drive the external circuit. The maximum voltage is 12 V and the maximum current is 300 mA. If the voltage is higher than 12 V, please use an additional electric relay.

Figure 1-3 Alarm output



**Step 3** Log in to the webpage, and then configure the alarm input and alarm output in alarm settings.

- The alarm input on the webpage corresponds to the alarm input end of the I/O port. There will be high level and low level alarm signals generated by the alarm input device when an alarm occurs. Set the input mode to "NO" (default) if the alarm input signal is logic "0", and set to "NC" if the alarm input signal is logic "1".
- The alarm output on the webpage corresponds to the alarm output end of the device, which is also the alarm output end of the I/O port.

## 2 Network Configuration

Device initialization and IP configurations can be both managed through ConfigTool or webpage of the device. For more information, see the web operation manual.



- Device initialization is available on select models, and is required at first-time use and after the device is reset.
- Device initialization is available only when the IP addresses of the device (192.168.1.108 by default) and the computer are on the same network segment.
- Carefully plan the network segment for the device.
- The following figures and pages are for reference only.

### 2.1 Initializing the Camera

#### Procedure

Step 1 Search for the device that needs to be initialized through ConfigTool.

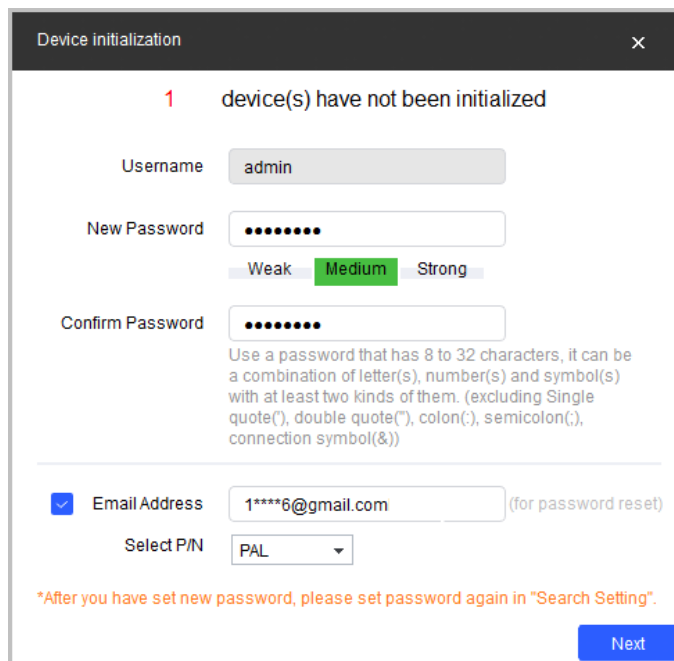
1. Double-click **ConfigTool.exe** to open the tool.
2. Click **Modify IP**.
3. Select the search conditions, and then click **OK**.

Step 2 Select the device to be initialized, and then click **Initialize**.



Enter the email address for password reset. Otherwise, you can only reset the password through XML file.

Figure 2-1 Password setting



Device initialization

1 device(s) have not been initialized

Username: admin

New Password: [masked] Weak Medium Strong

Confirm Password: [masked]

Use a password that has 8 to 32 characters, it can be a combination of letter(s), number(s) and symbol(s) with at least two kinds of them. (excluding Single quote('), double quote("), colon(:), semicolon(;), connection symbol(&))

Email Address: 1\*\*\*\*6@gmail.com (for password reset)

Select P/N: PAL

\*After you have set new password, please set password again in "Search Setting".

Next

Step 3 Select **Auto-check for updates**, and then click **OK** to initialize the device.



If initialization fails, click  to see more information.

Step 4 Click **Finish**.

## 2.2 Changing the Device IP Address

### Background Information



- You can change the IP address of one or more devices at a time. This section uses changing IP addresses in batches as an example.
- Changing IP addresses in batches is available only when the corresponding devices have the same login password.

### Procedure

Step 1 Search for the device whose IP address needs to be changed through ConfigTool.

1. Double-click **ConfigTool.exe** to open the tool.
2. Click **Modify IP**.
3. Select the search conditions, enter the username and password, and then click **OK**.



The username is **admin**, and the password should be the one that you set while initializing the device.

Step 2 Select one or more devices, and then click **Modify IP**.

Step 3 Configure the IP address.

- **Static** mode: Enter **Start IP**, **Subnet Mask**, and **Gateway**, and then the IP addresses of the devices will be modified successively starting from the first IP entered.
- **DHCP** mode: When the DHCP server is available on the network, the IP addresses of devices will be automatically assigned through the DHCP server.



The same IP address will be set for multiple devices if you select the **Same IP** checkbox.

Step 4 Click **OK**.

## 2.3 Logging in to the Webpage

### Procedure

Step 1 Open the IE browser, enter the IP address of the device in the address bar, and then press the Enter key.



If the setup wizard opens, follow the on-screen instructions to complete it.

Step 2 Enter the username and password in the login box, and then click **Login**.

Step 3 (Optional) For the first-time login, click **Click Here to Download Plugin**, and then install the plugin as instructed.

The home page opens when the installation is complete.

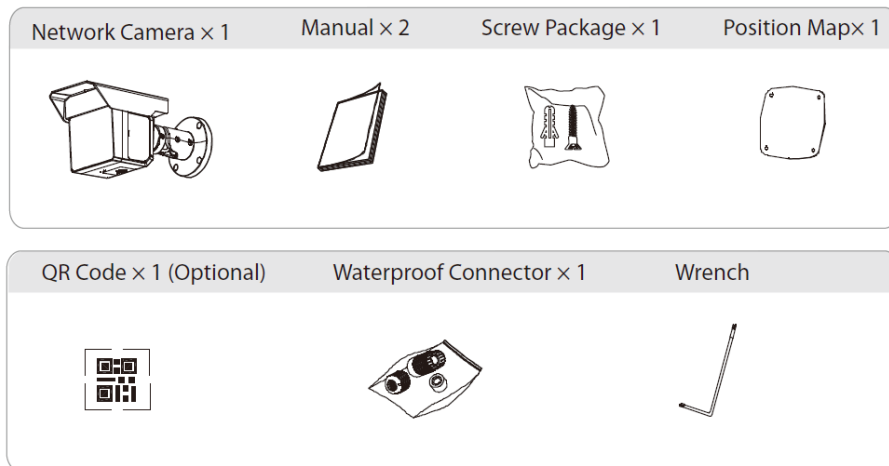
## 3 Installation

### 3.1 Packing List



- Tools required for installation, such as the electric drill, are not included in the package.
- The operation manual and information on the tools are on the disk or the QR code.

Figure 3-1 Packing list



### 3.2 Installing the Camera

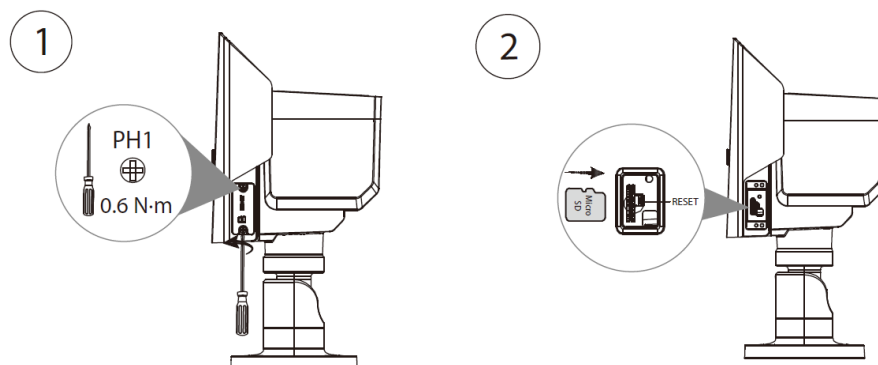
#### 3.2.1 (Optional) Installing the SD Card

- SD card slot is available on select models.
- Disconnect the power before installing or removing the SD card.



You can press the reset button for 10 seconds to reset the device as needed, which will restore the device to factory settings.

Figure 3-2 Install the SD card



### 3.2.2 Attaching the Camera



Make sure that the mounting surface is strong enough to hold at least 3 times the weight of the camera and bracket.

Figure 3-3 Cable going through the side cable tray

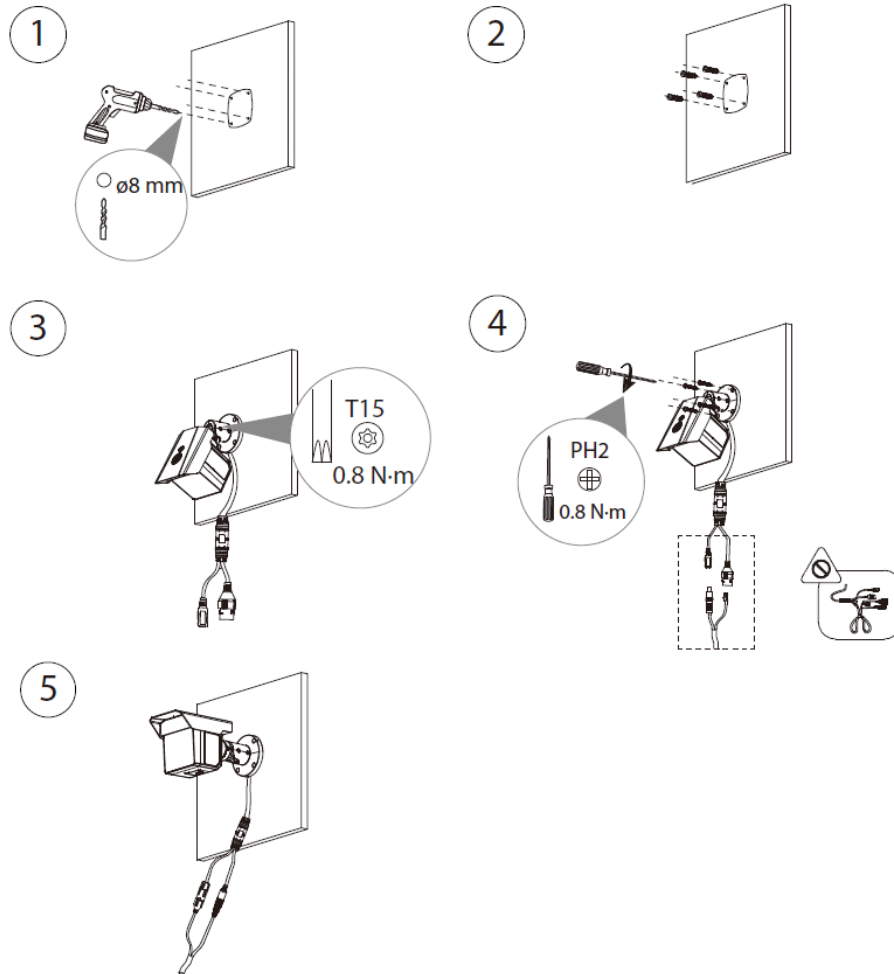
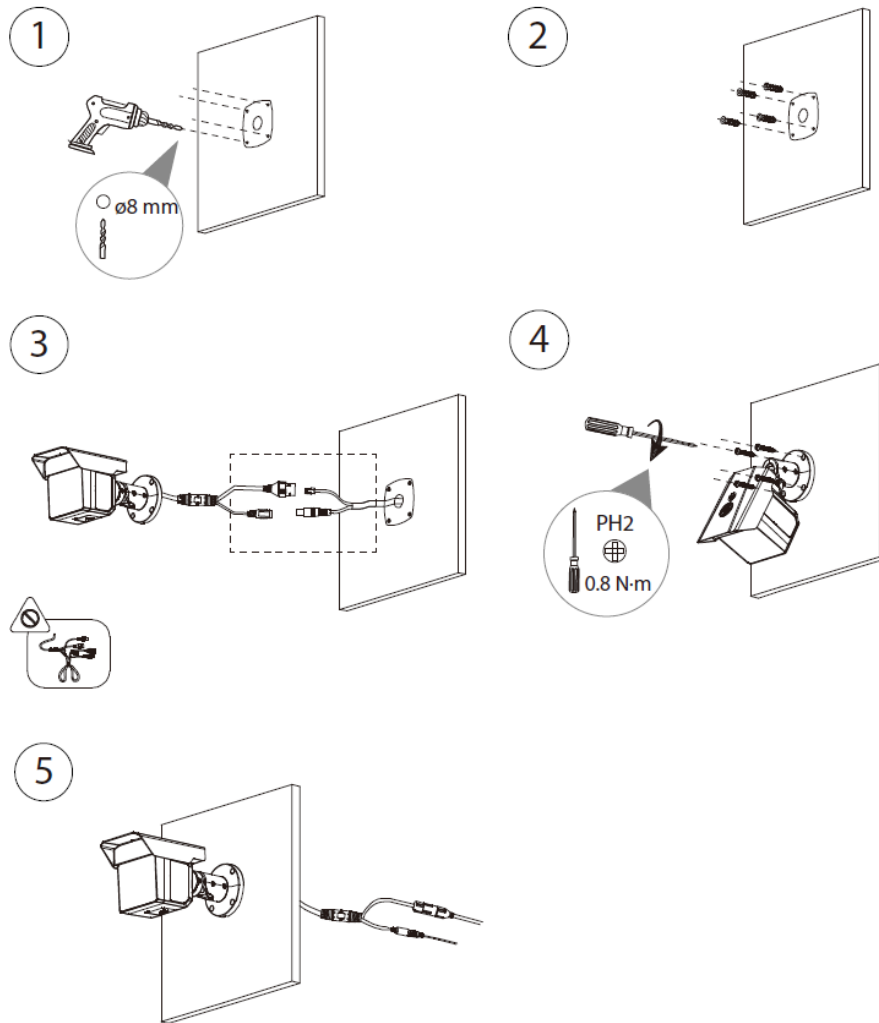
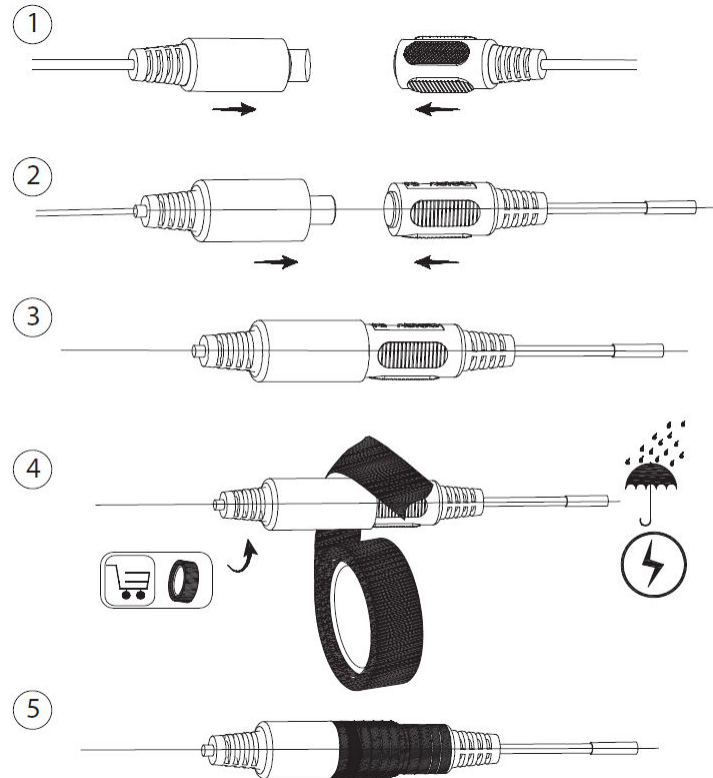


Figure 3-4 Cable going through the mounting surface



### 3.2.3 Waterproofing the Power Cord

Figure 3-5 Waterproof the power cord



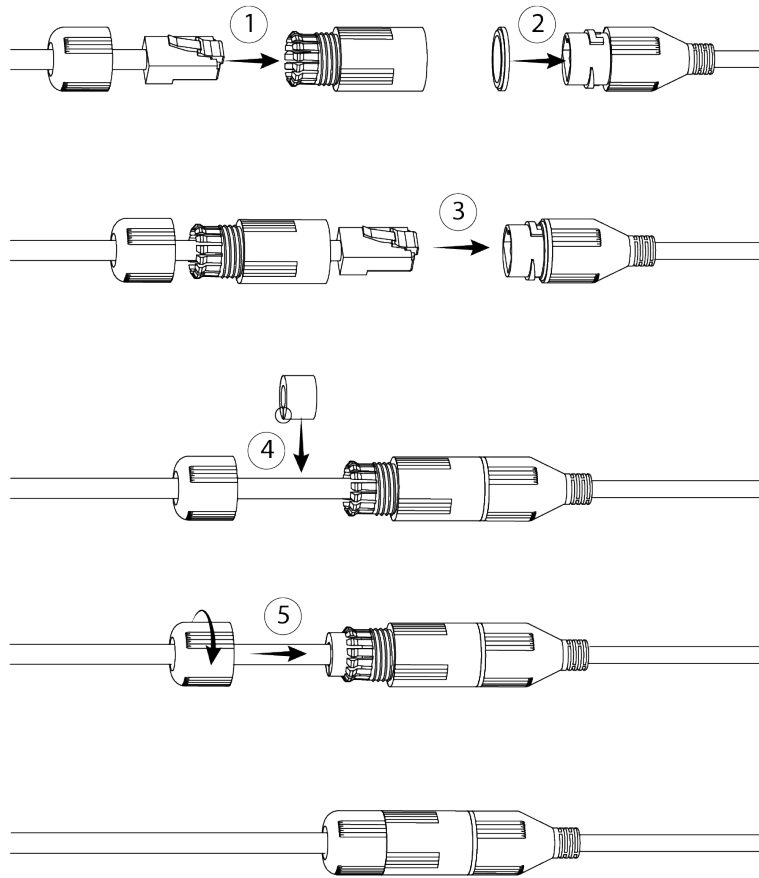
### 3.2.4 (Optional) Installing the Waterproof Connector



This section is only necessary if a waterproof connector is included in your package, and the device is installed outdoors.

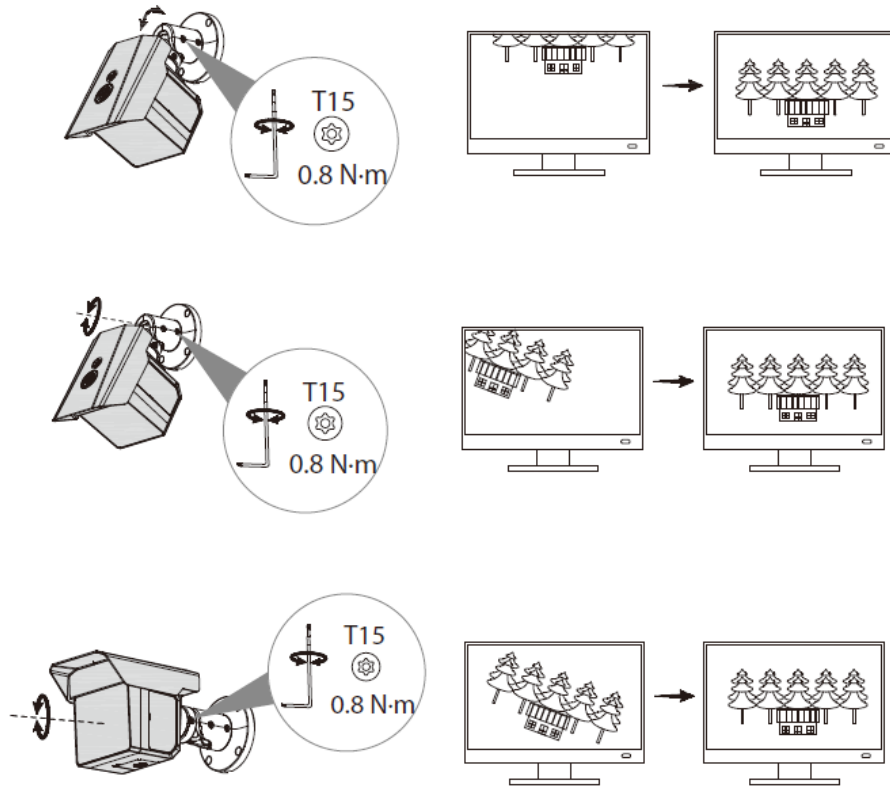


Figure 3-6 Install the waterproof connector



### 3.2.5 Adjusting the Lens Angle

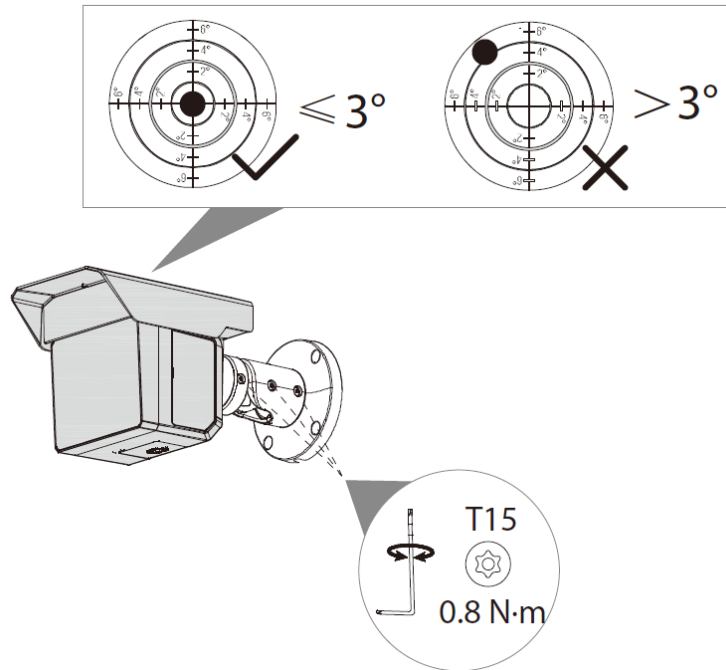
Figure 3-7 Adjust the lens angle



### 3.2.6 Checking the Spirit Level

Adjust the device until the bubble on the spirit level is within 3 degrees, and then tighten the screws on the bracket.

Figure 3-8 Check the spirit level



ENABLING A SMARTER SOCIETY AND BETTER LIVING

ZHEJIANG DAHUA VISION TECHNOLOGY CO., LTD.

Address: No. 1399, Binxing Road, Binjiang District, Hangzhou, P. R. China | Website: [www.dahuasecurity.com](http://www.dahuasecurity.com) | Postcode: 310053

Email: [dhoverseas@dhvisiontech.com](mailto:dhoverseas@dhvisiontech.com) | Tel: +86-571-87688888 28933188