

DHI-ARA43-W2(868)

Alarm Repeater



- Connects up to 32 peripherals.
- Two-way RF communication.
- LED indicator displays device status.
- Supports manual and auto pairing, extending RF distance for your security system.
- Auto switches from dual antennas to reduce blind areas.
- Cloud update and auto recovery of update failure.
- Battery backs device working for over 35 hours when external power supply fails.

System Overview

Alarm repeater is a wireless repeater device that extends the communication range between the alarm hub and other accessories, and forwards messages received from the accessory to the hub. It provides a secondary communication path for accessories, improving the overall stability and reliability of communication of the wireless security system. You can use the DMSS app to manually select a path for accessories or allow the system to automatically select one for them.

Scene

It is suitable for security use in scenes, such as villas with multiple floors, garages that are far away from residential areas, or office buildings and shops with partitions.

Technical Specification

Input/Output

Wireless Zone	32 × wireless peripherals
---------------	---------------------------

Port

Storage Battery	Built-in lithium battery
Indicator Light	1 that indicates pairing and working
Power Switch	1 × power switch

Function

Pairing Mode	Auto/Manual
Tamper Alarm	Yes
Remote Update	Cloud update
Power Failure Protection for Configured Parameters	Yes
Disconnection Detection of External Power Supply	Yes

Low Battery Alarm	Yes
Search	Signal strength detection

Wireless

Carrier Frequency	868.0 MHz–868.6 MHz
Transmitter Power (EIRP)	Limit 25 mW
Communication Distance	Up to 1,600 m (5249.34 ft) in an open space
Communication Mechanism	Two-way
Encryption Mode	AES128
Frequency Hopping	Yes

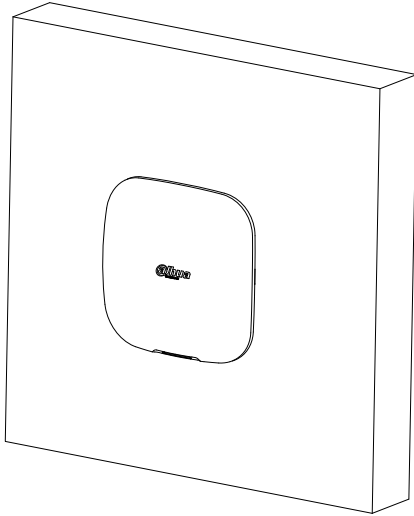
General

Power Supply	12 VDC, 1.5 A
Battery Life	Battery standby time: 35 h
Operating environment	−10 °C to +55 °C (+14 °F to +131 °F) (indoor)
Operating Humidity	10%–90% (RH)
Product Dimensions	163.0 mm × 163.0 mm × 32.0 mm (6.42" × 6.42" × 1.26")
Packaging Dimensions	219.0 mm × 187.0 mm × 91.0 mm (8.62" × 7.36" × 3.58")
Installation	Wall mount; Desktop
Net Weight	0.32 kg (0.71 lb)
Gross Weight	0.74 kg (1.63 lb)
Certifications	CE EN 50131-1:2006+A1:2009+A2:2017+A3:2020 EN 50131-3:2009 EN 50131-6:2017 EN 50131-5-3:2017 EN 50131-10:2014 EN 50136-2:2013 Security Grade 2 Environmental Class II
Casing	PC+ABS

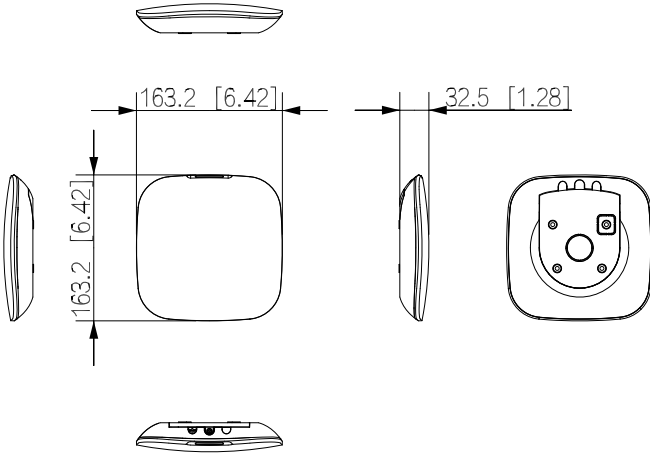
Ordering Information

Type	Model	Description
Alarm Accessory	DHI-ARA43-W2(868)	Wireless repeater

Installation



Dimensions (mm[inch])



Application

