

DHI-ARA14-W2(868)

Wireless Intercom Siren



- Two-way talk via RF transmission.
- High-decibel alarm sound.
- Multiple alarm sounds: Fire, medical, intrusion, panic, and more.
- Configurable arming/disarming prompt sound and LED indicator.
- Supports panic button.
- Offers voice talk through the app and SIP.

Series Overview

The Wireless Intercom Siren triggers sound and light alarms when it receives alarm signals. It also offers the intercom function, which can be enabled in the DMSS and DoLink Care mobile app, making it easy for you to communicate with people on your site. The security center can also use the intercom to communicate with your site through the siren.

Technical Specification

Port	
Microphone	Yes
Video & Audio	
Two-way Audio	Yes
Function	
Button	1 × panic button, 1 × power button
Buzzer	Yes
Remote Update	Cloud update
Low Battery Detection	Yes
Tamper	Yes
Technical	
LED Indicator	Red, blue and green indicators
Scenario	Indoor
Operating Current	1.5 A (Max), 20 uA (Standby) (Battery 3V); 0.4 A (Max), 1.5mA (Standby) (DC 12V)
Sound and Light Alarm	Yes

Wireless

Carrier Frequency	865.34 MHz–868.60 MHz
Transmitter Power (EIRP)	Limit 25 mW
Communication Mechanism	Two-way
Communication Distance	1600m (alarm transmission) , 1000m (intercom)
Encryption Mode	AES128
Frequency Hopping	Yes

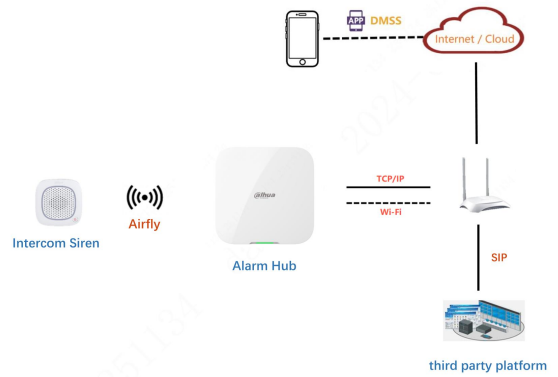
General

Power Supply	12 VDC/4 × CR123A battery
Battery Model	CR123A
Standby Time	3 years (when triggered once every 2 weeks and alarms for 120 sec).
Power Consumption	4.5 W (Max), 0.4 mW (Standby)
Operating Temperature	-10 °C to +55 °C (+14 °F to +131 °F) (indoor)
Operating Humidity	10%–90% (RH)
Product Dimensions	133.0 mm × 133.0 mm × 35.5 mm (5.24" × 5.24" × 1.40")
Net Weight	377 g (0.83 lb)
Gross Weight	507 g (1.12 lb)
Installation	Wall mount
Casing Material	PC + ABS
Appearance Color	White
Certifications	CE
Anti-corrosion Level	Basic Protection
Storage Temperature	-10 °C to +55 °C (+14 °F to +131 °F)

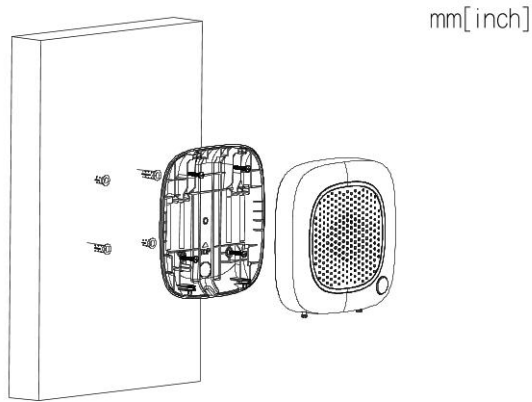
Wireless Intercom Siren | DHI-ARA14-W2(868)

Storage Humidity	10%–90% (RH)
Packaging Dimensions	170 mm × 166 mm × 55 mm (6.69" × 6.54" × 2.71")

Application



Installation



Dimensions (mm[inch])

